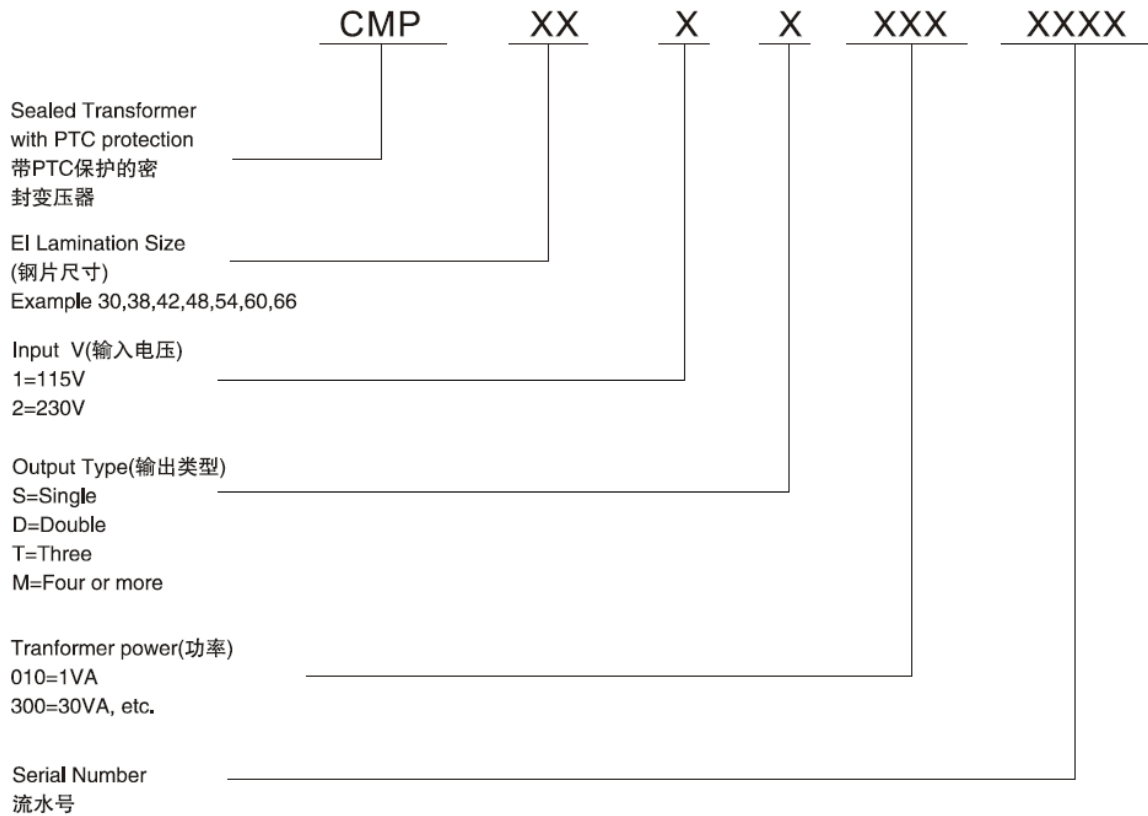


SEALED TRANSFORMER WITH PTC CMP SERIES

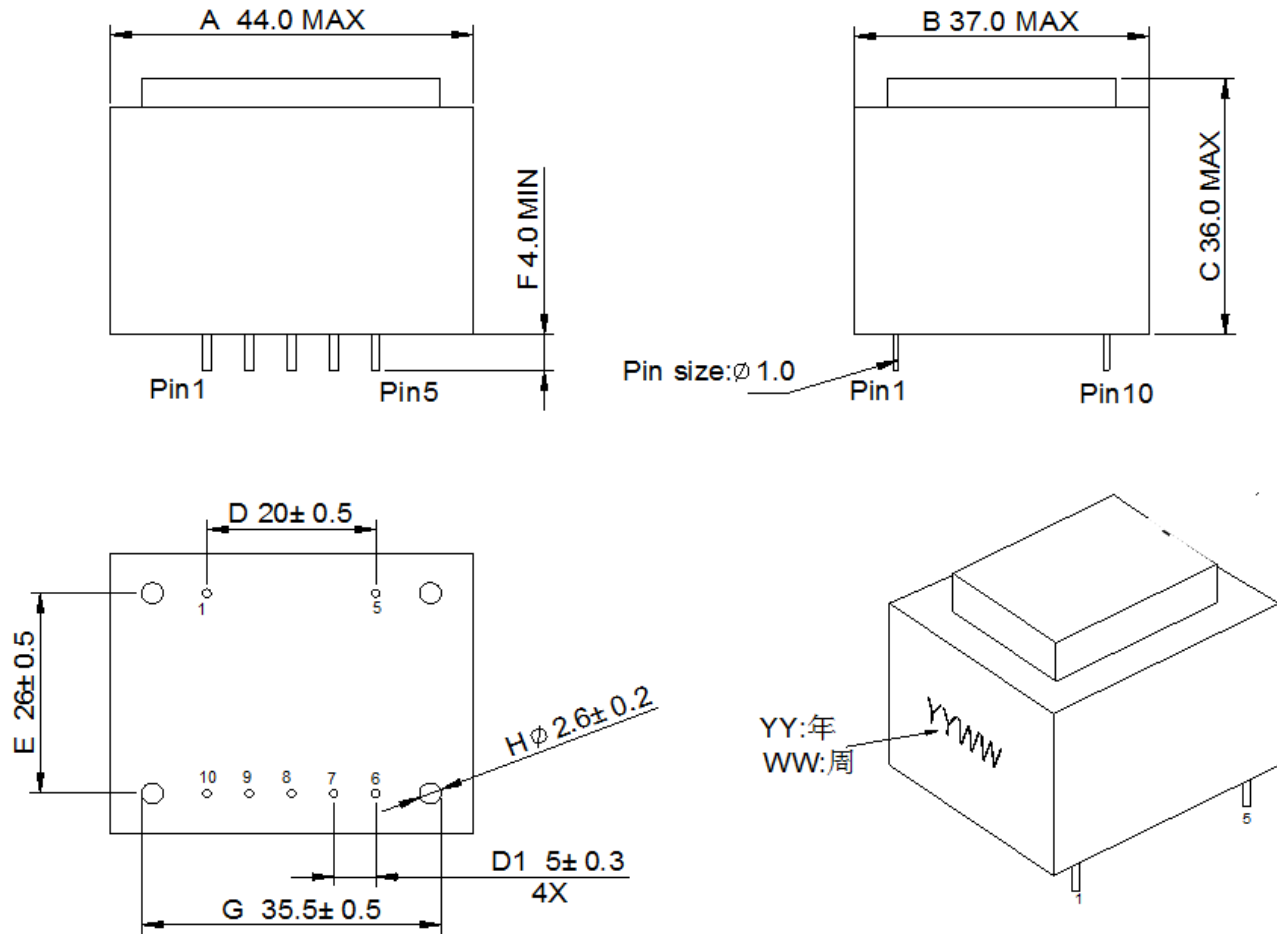
FEATURES

- CQC Approved:
CQC file No.CQC13001094903
- Vacuum Filling
- Split Bobbin Design
- Self-Extinguishing Plastics UL94V-0
- Dielectric Strength:
INPUT:230V 4200Vrms
INPUT:115V 2800Vrms
- Operation Frequency:50/60Hz
- Resin Class B IEC 85
(20,000 h Testing to IEC 216)
- 100% Production Tested

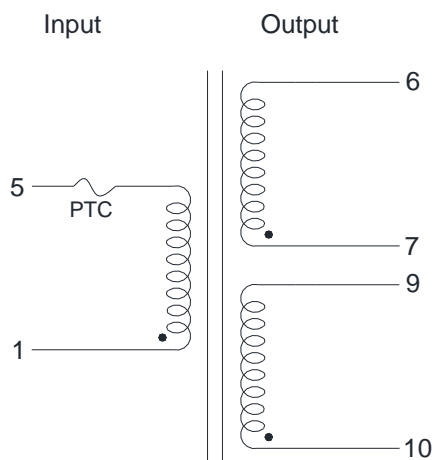
ORDERING CODE



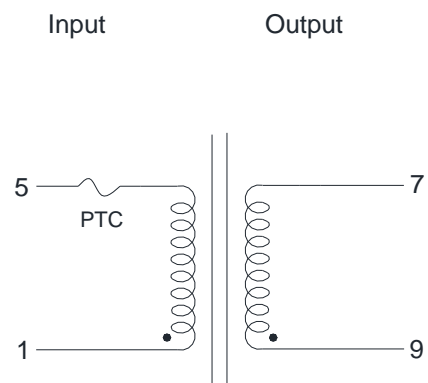
OUTLINE DIMENSIONS



SCHEMATIC DIAGRAM:



Dual outputs



Single output

ELECTRONIC SPECIFICATIONS

Order Number	Input Voltage (V)	No-load Voltage (V)	SEC. Voltage (V)	Rated Current (mA)	Rated Power (VA)	Ambient TEMP. (°C)	Weight (g)	Certificate	
								CQC	CE
CMP412S0600601	220V	8.4	6	1000	6.0VA	T 40 B	190g		
CMP412S0600901	220V	12.6	9	666	6.0VA	T 40 B	190g		
CMP412S0601001	220V	13.5	10	600	6.0VA	T 40 B	190g		
CMP412S0601201	220V	16.9	12	500	6.0VA	T 40 B	190g		
CMP412S0601501	220V	21	15	400	6.0VA	T 40 B	190g		
CMP412S0601801	220V	24.8	18	333	6.0VA	T 40 B	190g		
CMP412S0602401	220V	33.7	24	250	6.0VA	T 40 B	190g		
CMP412D0600601	220V	2x8.4	2X6	2X300	6.0VA	T 40 B	190g		
CMP412D0600901	220V	2x12.6	2X9	2X333	6.0VA	T 40 B	190g		
CMP412D0601001	220V	2x13.6	2X10	2X300	6.0VA	T 40 B	190g		
CMP412D0601201	220V	2x16.9	2X12	2x250	6.0VA	T 40 B	190g		
CMP412D0601501	220V	2x21	2X15	2x200	6.0VA	T 40 B	190g		
CMP412D0601801	220V	2x24.8	2X18	2x166	6.0VA	T 40 B	190g		
CMP412D0602401	220V	2x33.7	2X24	2x125	6.0VA	T 40 B	190g		